

AYPA

Y型接头 Fitting

+120°C +248°F
-50°C -58°F

Material: PA6 MOD V0 SGA

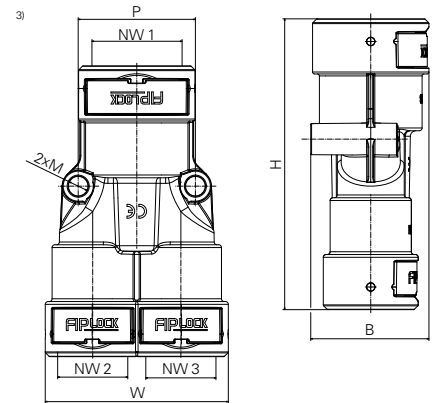


- Y型接头, 适配FIPLOCK®标准波纹管细波形及粗波形
 - 自熄, 耐大多数常见化学品
 - 耐UV性能优异
 - 小袋包装, 预装发货
- Y-distributor suitable for FIPLOCK®
corrugated conduits with fine and coarse profile
 - self-extinguishing and resistant against most
chemical media commonly used
 - excellent UV-resistance
 - pre-assembled in small packing units

	min.	max.
温度范围 / Temperature range		
UV-防护 / UV protection		
低温性能 / Cold environment performance		
防尘性能 / Dust ingress protection		
防水性能 / Water ingress protection		
机械强度 / Mechanical strength		



产品号 Part No. ¹⁾	名义尺寸 Nominal width			尺寸 Dimensions in mm ²⁾					重量 Weight g	包装单元 PU ↑ / Pcs
	NW1	NW2	NW3	B	W	H	P	M		
黑色 / black	NW1	NW2	NW3	B	W	H	P	M	g	↑ / Pcs
AYPA-100707B	10	07	07	25,2	42,0	67,0	25,0	4,0	21,7	10
AYPA-121010B	12	10	10	29,7	47,2	73,0	29,0	4,0	28,6	10
AYPA-171212B	17	12	12	34,5	54,5	85,0	35,0	5,0	40,2	10
AYPA-231717B	23	17	17	42,4	65,6	104,2	42,0	6,0	62,6	6
AYPA-292323B	29	23	23	48,9	80,9	109,0	51,0	6,0	82,5	6
AYPA-362929B	36	29	29	59,6	94,4	130,0	58,0	6,0	126,7	4
AYPA-483636B	48	36	36	71,5	115,7	144,0	70,0	6,0	195,7	4



您可以通过以下地址查询更多的技术信息 / You can find more technical information here

¹⁾ FIPLOCK® ONE 管接头编码规则 / Part numbering key for FIPLOCK® ONE fittings: www.fraenkische.com/fiplock-one-part-no

²⁾ 英制尺寸转换 / Conversion to inch: www.fraenkische.com/fipsystems-conversion-inch

³⁾ FIPLOCK® ONE 组装说明 / Assembly instruction for FIPLOCK® ONE: www.fraenkische.com/download/assembly-fiplock-one



应用性能 Application performances	特性 Characteristics	单位 Unit	规范标准 Standards, specifications	备注 Remark
温度范围 / Temperature range	-50 到 / to +120 -58 到 / to +248	°C °F	IS FIP	
温度 (短周期) / Temperature (short-term)	150 (500 h); 160 (100 h) 302 (500 h); 320 (100 h)	°C °F	IS FIP	

系统密封性能 / Material performances				
IP 等级 / IP rating	IP66/IP67/IP68/IP69 (IP69K)		IEC EN 60529	

防火性能 / Fire safety performances				
不含卤素和镉 Free from halogens and cadmium	是 / yes			
阻燃等级 / Fire classification	V0		UL 94	
防火特性 / Fire characteristic	自熄 self-extinguishing		UL 1696	
氧指数 / Oxygen index	>32	%	EN ISO 4589-2	
灼热丝测试 / Glow wire test	960 / 1760	°C / °F	IEC 60695	
火灾危害等级 / Fire hazardous level	HL2 R22 / HL3 R23		EN45545-2	
火焰蔓延指数 / Flame spread index	符合 / compliant		ASTM E162	参照 NFPA 130 / acc. NFPA 130
烟雾密度 / Smoke density	符合 / compliant		ASTM E662	参照 NFPA 130 / acc. NFPA 130
烟雾毒性 / Smoke toxicity	符合 / compliant		BSS 7239 / SMP 800-C	
热释放量 (焓) / Heat release (Enthalpy)	19,4 (8265)	MJ/kg (BTU/lb)	ASTM E1354	50 kW/m ² 热通量 50 kW/m ² heat flux
火焰蔓延 / Spread of fire	非火焰蔓延 non flame propagating		IEC EN 61386	
垂直燃烧测试 / Vertical burning behavior	Vi<100 自熄 Vi<100 self-extinguishing	mm/min	EN ISO 6941:2003	ECE R-118-02 附录 8 ECE R-118-02 annex 8

耐候性 / Weathering performances				
耐候性测试 Weathering test	符合 resistant		DIN EN ISO 4892-2: 2013-07	5000h
UV-及耐候性能 UV and weathering performance	优异 excellent		IS FIP	可达 40 年 up to 40 years

测试条件参照EN ISO 139, 温度 23°C / 湿度50% r. h. (如未注明测试条件). IS FIP = FIP内部测试规范
Tests carried out acc. EN ISO 139 at 23°C / 50% r. h. (if not indicated differently). IS FIP = Internal Specification FIP

我们尽我们的知识水平所提供的数据, 图片和技术规格图档反映了当前的工程技术水平。这并不包含对最后应用有关的任何责任。产品用户需根据应用要求自行进行评估。以确定产品是否符合特殊应用条件。我们对产品的责任只考虑一般规定条件下的水平。FIP保留对产品数据和数值进行技术调整的权利。例如更改材料和加工工艺, 在保证产品性能数值不下降的情况下不会另行通知。

The provided data, images and technical specification drawings reflect the current engineering level and are to the best of our knowledge. This does not include any liability regarding the final application. Users of the products have to make their own evaluation to determine the suitability for a specific application. Our liability for these products considers the stated level within our General Conditions only. FRAENKISCHE Industrial Pipes (FIP) reserves the right to adjust specified data and values as well as implementing technical adjustments of the products e. g. change of materials and processing technologies without prior notice as long as the specified values are not reduced.