

WZDZ-M

弯接头
Elbow fitting

+200°C +392°F
-20°C -4°F

Material: 锌压铸
Material: Zinc die-casting

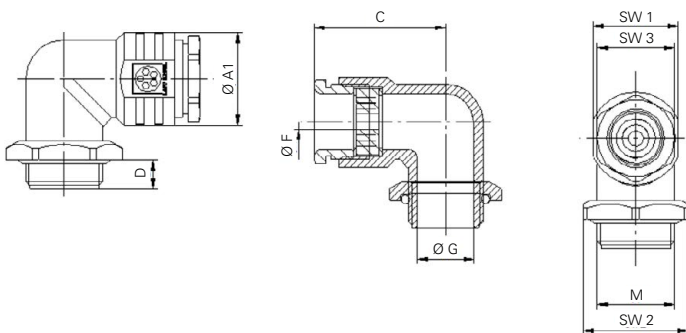


- 公制螺纹90°弯接头, 由锌合金压铸制成, 用于线束线缆的保护
- 螺母的设计使之可将弯接头锁定在任何需要的位置

- 90° elbow fitting made of nickel-plated die-cast zinc for cable and wire entry with metric threads
- the lock nut can be used to lock the elbow fitting in any position



产品号 Part No.	销售号 Sales Part No. ¹⁾	名义尺寸 Nominal width	尺寸 Dimensions in mm								
			M	SW 1	SW 2	SW 3	Ø A1	C	D	Ø F	Ø G
4896207801	WZDZ-M12M	M12x1,5	14,0	12,0	17	16	26,1	6,5	5	8	11x2,5
4896207811	WZDZ-M16M	M16x1,5	18,0	16,0	22	20	28,6	6,5	3/6/9	12	15x2,5
4896207821	WZDZ-M20M	M20x1,5	22,0	20,0	27	24	35,1	7,5	4/7/10/13	15	19x2,5
4896207831	WZDZ-M25M	M25x1,5	27,0	25,0	32	29	38,1	8,5	8,5/11,5/14,5/17,5	20	24x2,5
4896207841	WZDZ-M32M	M32x1,5	34,0	32,0	41	36	44,6	8,5	16/19/22/25	27	30x2,5
4896207851	WZDZ-M40M	M40x1,5	42,0	40,0	46	45	53,1	10,5	23/26/29/32	35	38x2,5



您可以通过以下地址查询更多的技术信息 / You can find more technical information here

CADENAS – 产品CAD 数据目录 / eCATALOGsolutions electronic CAD catalog: <https://fraenkische-ip.partcommunity.com>

¹⁾ FIPOLOCK® 附件编码规则 / Part numbering key for FIPOLOCK® accessories: www.fraenkische-ip.com/fiplock-accsy-part-no



WBDZ-M 产品性能 / Product performances

应用性能 <i>Application performances</i>	特性 <i>Characteristics</i>	单位 <i>Unit</i>	规范标准 <i>Standards, specifications</i>	备注 <i>Remark</i>
温度范围 / <i>Temperature range</i>	-20 到 / <i>to</i> +200 -4 到 / <i>to</i> +392	°C °F	IS FIP	

测试条件参照EN ISO 139 , 温度 23°C / 湿度50% r. F. (如未注明测试条件). IS FIP = FIP内部测试规范
Tests carried out acc. EN ISO 139 at 23°C / 50% r. h. (if not indicated differently). IS FIP = Internal Specification FIP

我们尽我们的知识水平所提供的数据, 图片和技术规格图档反映了当前的工程技术水平。这不包含对最后应用有关的任何责任。产品用户需根据应用要求自行进行评估。以确定产品是否符合特殊应用条件。我们对产品的责任只考虑一般规定条件下的水平。FIP保留对产品数据和数值进行技术调整的权力。例如更改材料和加工工艺, 在保证产品性能数值不下降的情况下不会另行通知。

The provided data, images and technical specification drawings reflect the current engineering level and are to the best of our knowledge. This does not include any liability regarding the final application. Users of the products have to make their own evaluation to determine the suitability for a specific application. Our liability for these products considers the stated level within our General Conditions only. FRAENKISCHE Industrial Pipes (FIP) reserves the right to adjust specified data and values as well as implementing technical adjustments of the products e. g. change of materials and processing technologies without prior notice as long as the specified values are not reduced.