

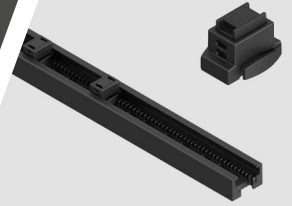
CRPA/CXPA

带插槽螺母的固定轨

Mounting rail with slot nuts

+120°C +248°F
-50°C -58°F

Material: PA6 MOD V0 SGA



- C型导轨, 适用于安装COPA-S 固定座
- 插槽螺母可用手很容易的按下安装, 拆卸时使用一个螺丝起子即可轻松打开
- C-rail for easy installation of COPA-S mounting clips
- slot nuts can be locked by hand and for safety reasons only released by screw driver

温度范围 / Temperature range
UV-防护 / UV protection
低温性能 / Cold environment performance
机械强度 / Mechanical strength

min.				max.			



固定轨产品号 Part No. mounting rail ¹⁾		固定轨尺寸 (mm) Dimensions mounting rail in mm						重量/单位 Weight/PU	包装单元 PU
黑色 / black	灰色 / grey	L1	L2	Detail A	Detail B	Detail C	Detail D	g	个 / Pcs
CRPA-00B	CRPA-00G	279,0	283,0	请参照下面图纸 see drawing on the reverse side				37,3	4*

*包含 10 pcs CXPA / including 10 pieces of CXPA

插槽螺母产品号 Part No. slot nut ¹⁾		插槽螺母尺寸 (mm) Dimensions slot nut in mm				重量/单位 Weight/PU	包装单元 PU
黑色 / black	灰色 / grey	E		F		g	个 / Pcs
CXPA-02B	CXPA-02G	25		20		41,7	10

您可以通过以下地址查询更多的技术信息 / You can find more technical information here

CADENAS – 产品CAD数据目录 / eCATALOG solutions electronic CAD catalog: <https://fraenkische-ip.partcommunity.com>

¹⁾ FIPLOCK® 附件编码规则 / Part numbering key for FIPLOCK® accessories: www.fraenkische-ip.com/fiplock-accsy-part-no

²⁾ FIPLOCK® CRPA-CXPA 组装说明 / Assembly instruction for FIPLOCK® CRPA-CXPA: www.fraenkische-ip.com/assembly-fiplock-crpa-cxpa



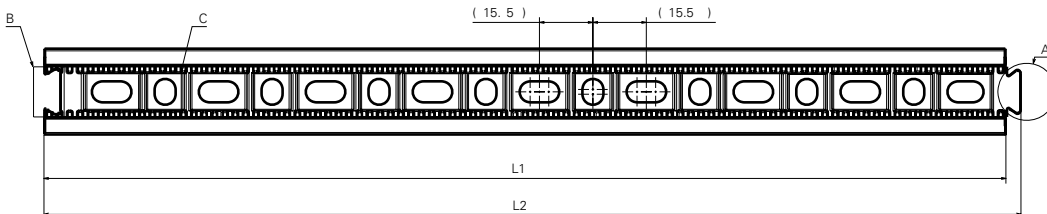
CRPA/CXPA 产品性能 / Product performances

应用性能 Application performances	特性 Characteristics	单位 Unit	规范标准 Standards, specifications	备注 Remark
温度范围 / Temperature range	-50 到 / to +120 -58 到 / to +248	°C °F	IS FIP	
温度 (短周期) / Temperature (short-term)	150 (500 h); 165 (100 h) 302 (500 h); 329 (100 h)	°C °F	IS FIP	

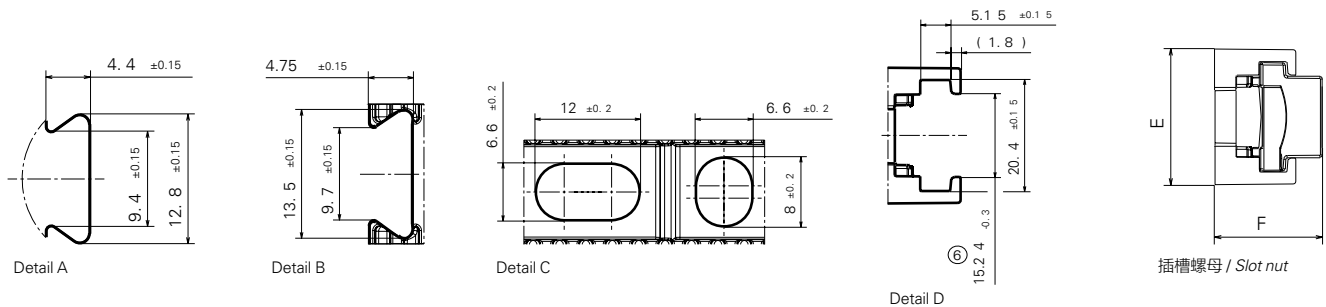
防火性能 / Fire safety performances				
不含卤素和镉 / Free from halogens and cadmium	是 / yes			
阻燃等级 / Fire classification	V0		UL 94	
氧指数 / Oxygen index	>32	%	EN ISO 4589-2	
火灾危害等级 / Fire hazardous level	HL2 R22 / HL3 R23		EN45545-2	
垂直燃烧测试 / Vertical burning behavior	Vi<100 自熄 Vi<100 self-extinguishing	mm/min	EN ISO 6941:2003	ECE R-118-02 附录 8 ECE R-118-02 annex 8

耐候性 / Weathering performances				
UV- 及耐候性能 UV and weathering performance	优异 excellent		IS FIP	可达 40 年 up to 40 years
防锈测试 Corrosion test	符合 / compliant		DIN EN ISO 9227:2017-07 DIN EN ISO 13018:2016-06	

测试条件参照EN ISO 139，温度 23°C / 湿度50% r. h. (如未注明测试条件). IS FIP = FIP内部测试规范
Tests carried out acc. EN ISO 139 at 23°C / 50% r. h. (if not indicated differently). IS FIP = Internal Specification FIP



2) 固定轨 / Mounting rail



我们尽我们的知识水平所提供的数据，图片和技术规格图档反映了当前的工程技术水平。这并不包含对最后应用有关的任何责任。产品用户需根据应用要求自行进行评估。以确定产品是否符合特殊应用条件。我们对产品的责任只考虑一般规定条件下的水平。FIP保留对产品数据和数值进行技术调整的权利。例如更改材料和加工工艺，在保证产品性能数值不下降的情况下不会另行通知。

The provided data, images and technical specification drawings reflect the current engineering level and are to the best of our knowledge. This does not include any liability regarding the final application. Users of the products have to make their own evaluation to determine the suitability for a specific application. Our liability for these products considers the stated level within our General Conditions only. FRAENKISCHE Industrial Pipes (FIP) reserves the right to adjust specified data and values as well as implementing technical adjustments of the products e. g. change of materials and processing technologies without prior notice as long as the specified values are not reduced.